

Fabricated, with Thread or to Plug-in/Weld-in Design to DIN 43 772 Form 2, 3, 2G, 3G Model TW35-2 ... TW35-5

WIKA Data Sheet TW 95.35

Applications

- Petrochemical, On/Offshore, plant engineering
- For low and medium process loads

Special Features

- Design according to DIN 43 772
- Thermowell Model TW35-2: Form 2 (straight)
Model TW35-3: Form 3 (tapered)
Model TW35-4: Form 2G (straight)
Model TW35-5: Form 3G (tapered)
- With integrated necktube
- Model TW35-3 and TW35-5: short response time

Description

Thermowell material

Stainless steel 1.4571

Process connection

G ½ B, G 1 B, M20 x 1.5, ½ NPT male or without thread to plug-in/weld-in

Instrument connection

M24 x 1.5 running nut

Bore size

Ø 6.1 mm, Ø 7 mm, Ø 9 mm

Insertion length U_1 , total length L

Per DIN 43 772 or to customer specification

Total length L :

Model TW35-4: Insertion length U_1 + 145 mm

Model TW35-5: Insertion length U_1 + 147 mm

Maximum process temperature ¹⁾

See load diagrams DIN 43 772



Fig. left: Thermowell with thread Model TW35-4 (Form 2G)

Fig. right: Thermowell to plug-in/weld-in Model TW35-3 (Form 3)

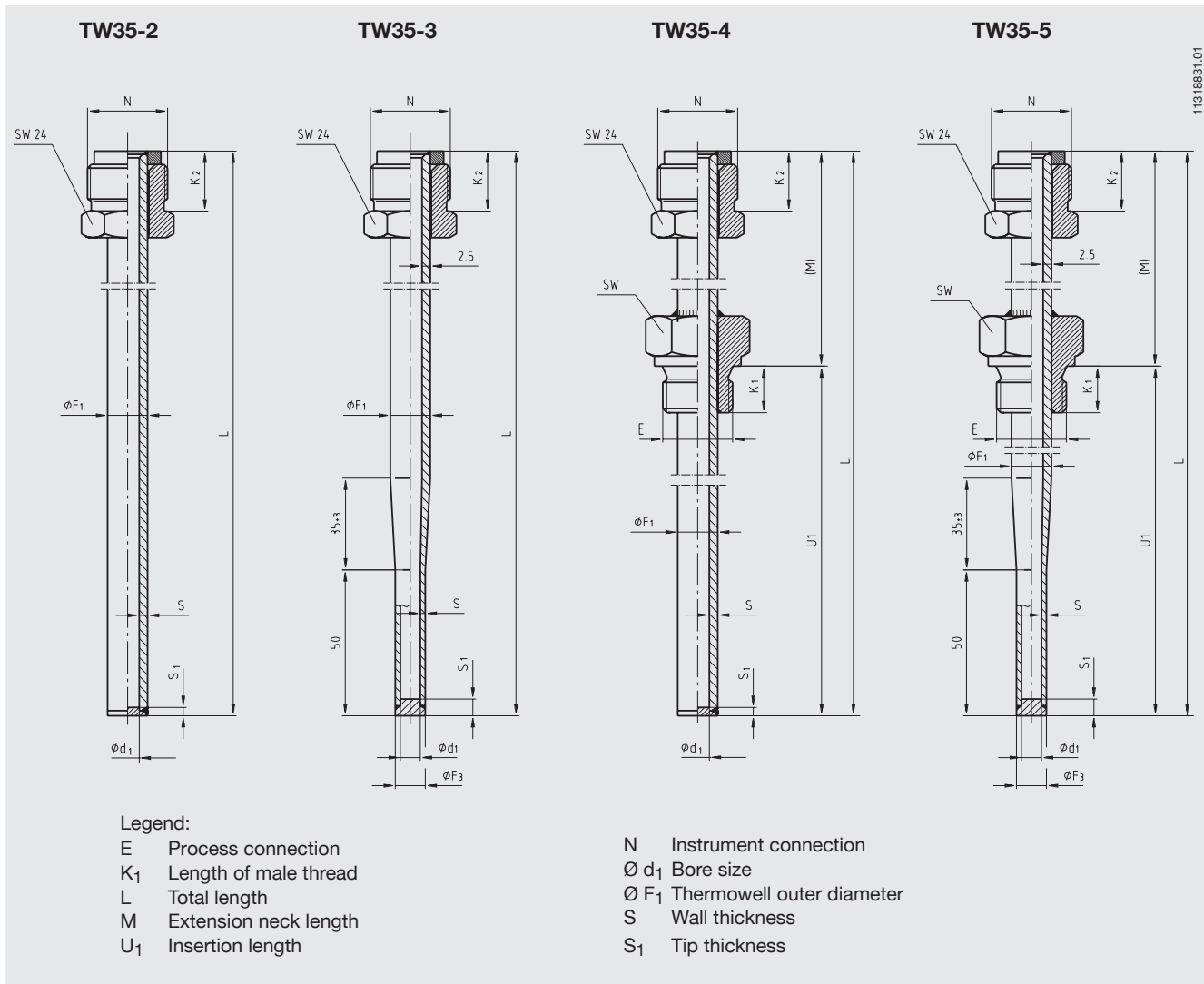
Optional extras

- Other dimensions and materials
- Quality certificates
- Wake frequency calculations in accordance with ASME PTC 19.3 are recommended in critical applications. WIKA offer this as an engineering service. Please find further information in our separate technical information sheet, IN 00.15 "Strength calculation for thermowells"

1) Rating depends on the parameters below:

- Process medium
- Process pressure and temperature
- Flow rate
- Design of thermowell (dimensions, material)

Dimensions in mm



Dimensions in mm					Weight in kg
Ø d ₁	Ø F ₁	S	S ₁	E	L = 305 mm
7	11	2	3	G ½ B, G 1 B, M20 x 1.5 or ½ NPT	0.23
7	12	2.5	3.5	G ½ B, G 1 B, M20 x 1.5 or ½ NPT	0.35
9	14	2.5	3.5	G ½ B, G 1 B, M20 x 1.5 or ½ NPT	0.23
6.1	12	2.5	5	G ½ B, G 1 B, M20 x 1.5 or ½ NPT	0.23

Suitable stem lengths for mechanical thermometers

Connection design	Stem length l ₁
S / 3 / 4 / 5	l ₁ = L - 10 mm or l ₁ = U ₁ + M - 10 mm
2	l ₁ = L - 30 mm or l ₁ = U ₁ + M - 30 mm

Modifications may take place and materials specified may be replaced by others without prior notice. Specifications and dimensions given in this leaflet represent the state of engineering at the time of printing.



WIKAL Alexander Wiegand GmbH & Co. KG
 Alexander-Wiegand-Straße 30
 63911 Klingenberg/Germany
 Phone (+49) 93 72/132-0
 Fax (+49) 93 72/132-406
 E-Mail info@wika.de
 www.wika.de