

Duct Humidity Temperature Sensors Model A2G-70, air2guide T+H



WIKA Data Sheet TE 60.91

Applications

- For measuring relative humidity and temperature in gaseous media of heating, cooling and air-conditioning systems (e.g. in fresh air/ exhaust air ducts)
- Designed for locking on to control and display systems

Special Features

- Easy installation
- Directly mounted into the process
- Incl. mounting flange



Duct Humidity Temperature Sensor air2guide T+H,
Model A2G-70

Description

Version

per EN 60 730-1 (2000)
CE-conformity: 89/336/EWG
Electromagnetic compatibility

Supply voltage

15 - 24 VDC/24 AC \pm 10 %

Measuring ranges

Humidity: 5 % ... 95 % rF
Temperature: -20 °C ... +80 °C

Power consumption

0.5 W / 1.7 VA

Output transmitter

Humidity: 0 ... 10 VDC, load: min. 5 kOhm
Temperature: 0 ... 10 VDC, load: min. 5 kOhm

Ingress protection

IP 65 per EN 60 529 / IEC 592 (connection head)

Accuracy

Humidity: \pm 3 % between 20 % ... 80 % rF
Temperature: \pm 1.0 % of measuring range

Electrical connection

Screw terminals max. 1.5 mm²
Screw connection M16 x 1.5 for wire with max. D = 8 mm

Insertion length L standard

130 mm
Other lengths on request

Operating Temperature

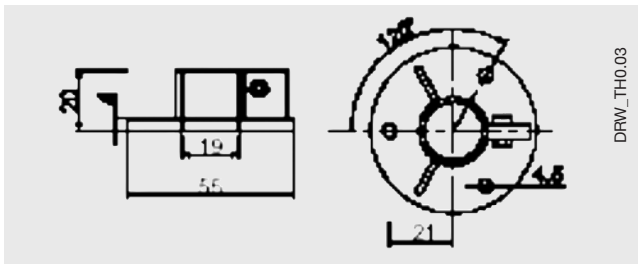
Ambient: -20 °C ... +70 °C
Sensor point: max. 60 °C

Material
PVC, black

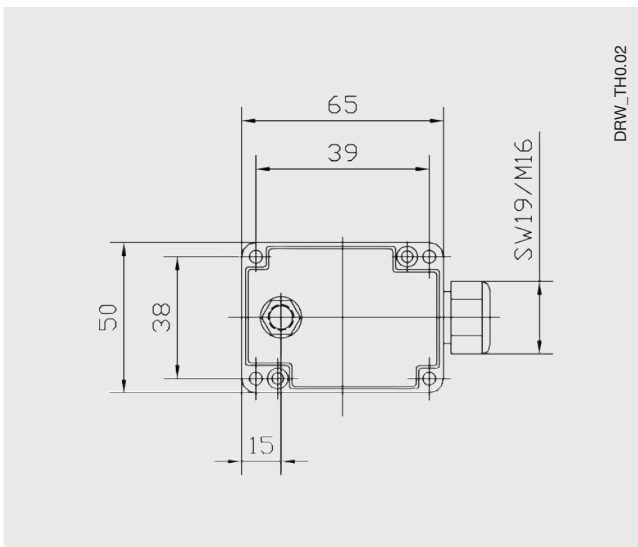
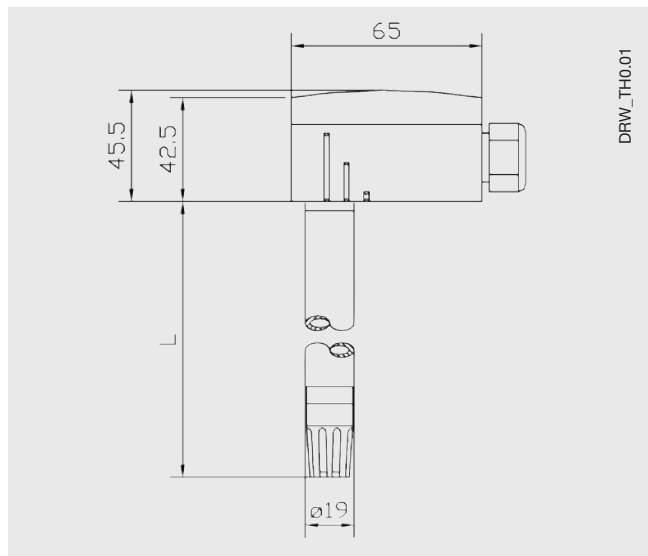
Filter element
Stainless steel, mesh size 80 μm

Connection head
PA6, white

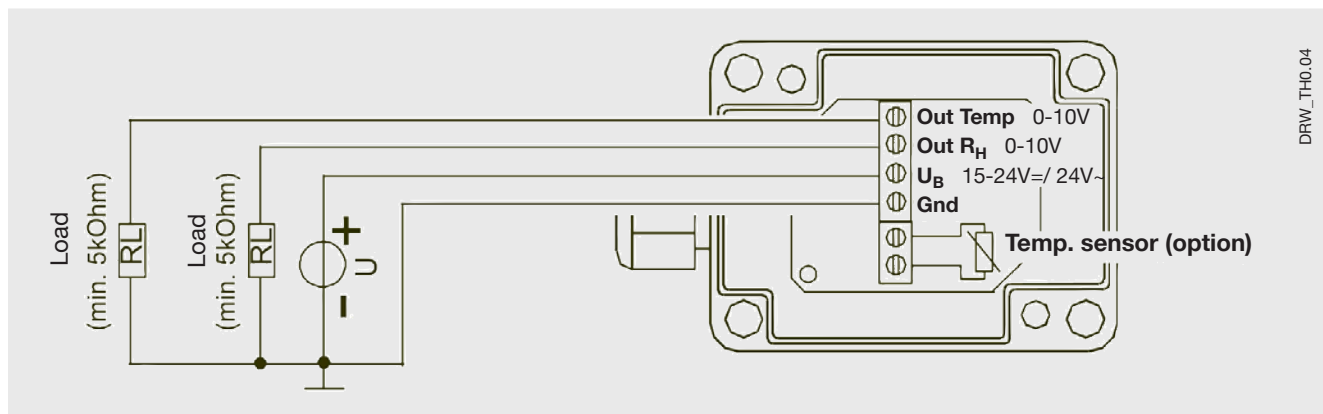
Mounting flange MF19-PA Polya



Dimensions in mm



Wiring diagram



Ordering information

Model

Modifications may take place and materials specified may be replaced by others without prior notice. Specifications and dimensions given in this leaflet represent the state of engineering at the time of printing.



WIKAI
WIKAI Alexander Wiegand GmbH & Co. KG
Alexander-Wiegand-Straße 30
63911 Klingenberg/Germany
Tel. (+49) 9372/132-0
Fax (+49) 9372/132-406
E-mail info@wika.de
www.wika.de